

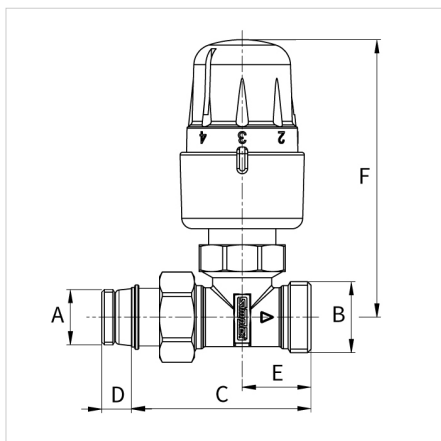
Return flow temperature limiter for the regulation of radiators or surface heating systems, self-sealing with special thread seal.

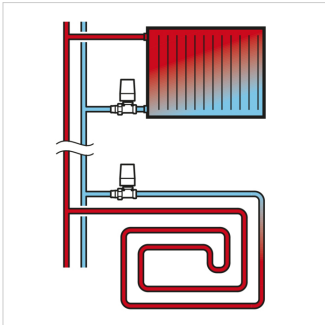
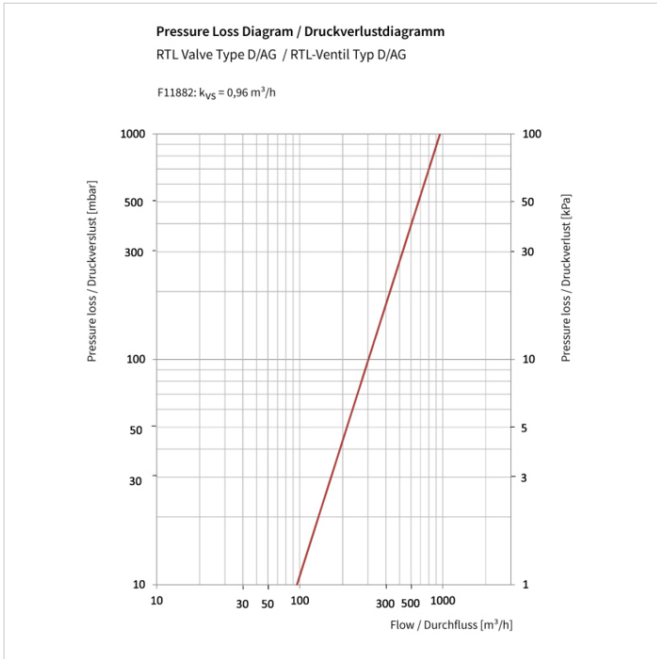
Technical Specifications

- Components made of nickel-plated brass, RTL head made of plastic
- Sealing materials: EPDM
- Max. operating temperature: 110 °C permanent temperature, 130 °C short-term
- Max. operating pressure: 10 bar



Description	RTL-V D	
Order Code	F11882	
GTIN	04013852211025	
Model	<u>RTL Valve Type D/AG</u>	
Version	straight	
Connection	A	G $\frac{1}{2}$ " M
	B (ET)	G $\frac{3}{4}$ " M
Dimensions [mm]	C	67
	D	11
	E	26
	F	104





Classification General Data

Etim Group	Valves/taps/controls
Etim Class	Radiator valve
Product Name	
Brand	COMAP
Product Type	Regul.Boxes Contr.Techn.[736]
Order Code	F11882
GTIN	04013852211025

Attributes

Housing material	Brass
Housing material	Brass
Surface protection	Nickel-plated
Size of radiator connection	1/2 inch (15)
Size of pipe connection	3/4 inch Euroconus
Size of thermostatic adjustment element connection	M30 x 1.5
Shape	Straight
Model	External thread/external thread
With straight tailpiece	Yes
With bent tailpiece	No
With compression set	No
Can be preset	No
Operation	Thermostatic with button
Suitable for single pipe system	No
Suitable for two pipe system	Yes
Thermostatically prepared	Yes
Reverse direction of flow	No
Colour button	White
With dust cap	No
Automatic flow control	No
Length of connection 1	52 Millimetre
Working length connection 1	41 Millimetre
Length of connection 2	26 Millimetre
Working length connection 2	21 Millimetre
Height	104 Millimetre

Find more information online:
[Installation Instructions](#)
[Packaging data](#)

Fort Blauwkapel 1
1358 DB, Almere - nl

T +31 (0)36 52 62 300

E info@aalberts-hfc.com

I flamcogroup.com